

147Z836P190 GT-205 (1997)
Deck Ass'y

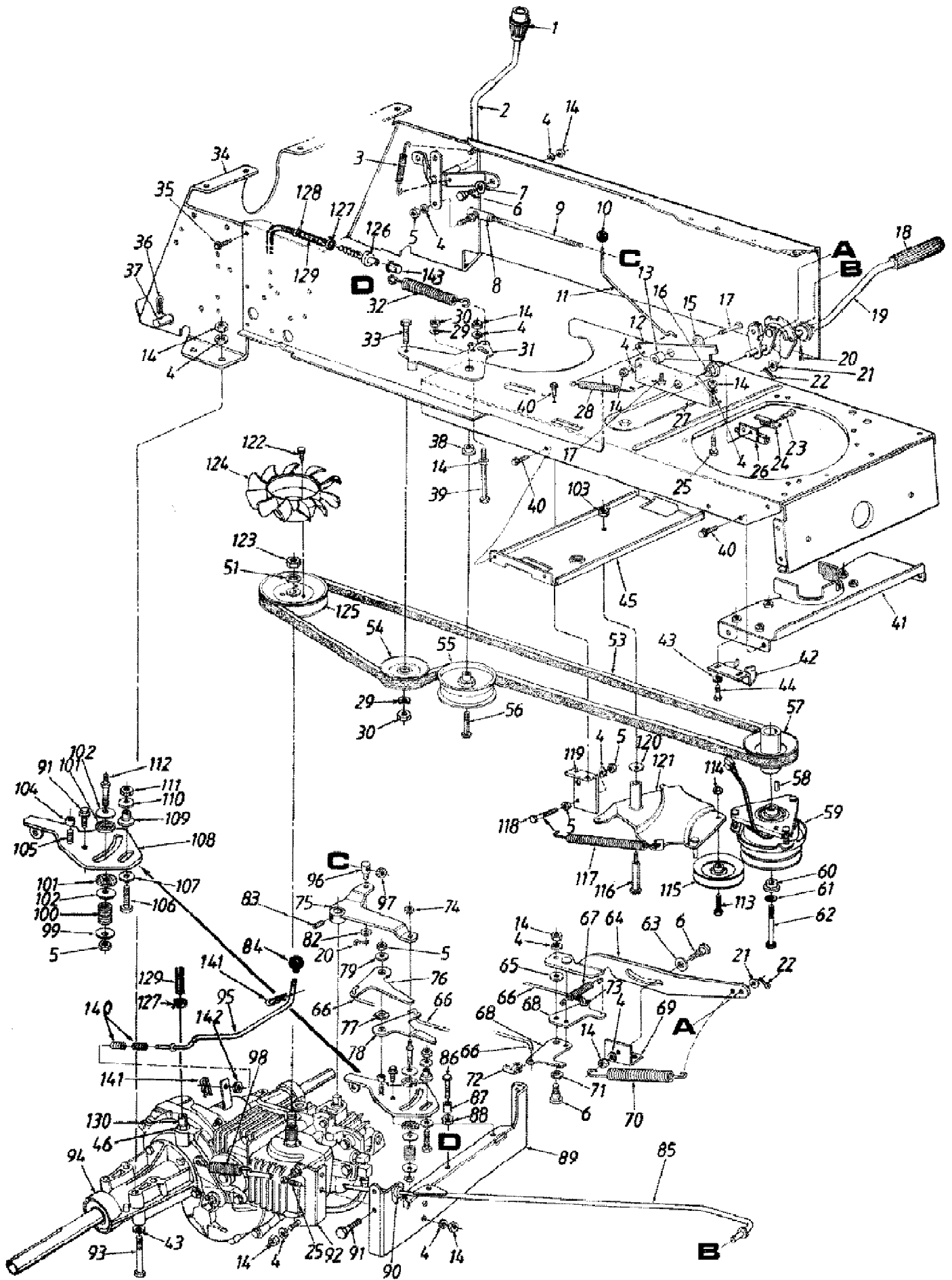
Page 2 of 22

Ref #	Part Number	Qty	S/P/F	Description
1	711-0310	1	S	Clevis Pin
2	714-0101	1	S	Hairpin Clip
3	715-0108	1	/P	Spring Pin 1/4" x 1" Lg.
4	715-0246	1	S	Spring Pin 3/16" x 1-1/4" Lg.
5	750-0288	1	S	Spacer .82" I.D.
6	731-0335	1		Deck Roller
7	750-0212	1	S	Spacer .75" I.D.
8	736-0188	1	/P	Fl-Wash. .76" I.D. x 1.5" O D.
9	12650	1		Height Adjuster
10	738-0295	1		Roller Shaft
11	710-0698	1	/P	Hex Bolt 1/4-28 x 1.5" Lg. (Gr. 5)
12	712-0138	1	S	Hex Nut 1/4-28 Thd.
13	736-0329	1	S	L-Wash. 1/4" I.D.
14	732-0594A	1	S	Ext. Spring 7.33" Lg.
15	783-0139	1	S	Idler Brkt.
16	710-0459	1	S	Hex Bolt 3/8-24 x 1.5" Lg.
17	756-0627	1	S	Idler Pulley
18	712-0241	1	/P	Hex Nut 3/8-24 Thd.
19	736-0105	1	/P	Bell-Wash. 3/8" I.D.
20	736-0331	1	/P	Bell-Wash. .39" I.D. x 1.13" O.D.
21	738-0347	1	S	Shld. Spacer .625" I.D.
22	754-0291A	1	S	"V"-Belt
23	756-0519	1	/P	Deck Pulley
24	756-0604	1		Upper Deck Pulley
25	736-0158	1	S	L-Wash. 5/8" I.D.
26	712-0318	1	/P	Hex Jam Nut 5/8-18 Thd.
27	710-0599	1	/P	Hex Wash. Hd. Scr. 1/4-20 x .5" Lg.
28	736-0270	1	/P	Bell-Wash. 1/4" I.D.
29	711-0747	1	S	Belt Guard Pin
30	754-0364	1	S	"V"-Belt
31	712-0287	1	S	Hex Nut 1/4-20 Thd.
32	783-0131	1		Belt Guard - L.H.
33	783-0130	1		Belt Guard - R.H.
38	712-0123	1	/P	Hex Nut 5/16-24 Thd.
49	710-0378	1	/P	Hex Bolt 5/16-18 x 2.5" Lg.
50	712-0267	1	S/F	Hex Nut 5/16-18 Thd.
51	736-0119	1	S/F	L-Wash. 5/16" I.D.
52	710-0152	1	S	Hex Bolt 3/8-24 x 1" Lg.
53	710-0451	1	/P	Carr. Bolt 5/16-18 x .75" Lg.
54	12649	1		Chute Guard
55	17264	1	S	Diagonal Brace
56	738-0392	1		Connecting Rod
57	17347	1	S	Stabilizer Link
58	714-0149B	1	S	Hairpin Clip
59	750-0932A	1	S	Spacer 1.75" Lg. Code: N Notates a new part (not previously existing)
60	714-0145	1	S	Hairpin Clip
61	683-0063	1		Deck Hanger Brkt. - L.H.
62	683-0062	1		Deck Hanger Brkt. - R.H.
63	736-0192	1	S	Fl-Wash. 1/2" I.D. x .93" O.D.
64	683-0060	1	S	Deck Ass'y.
65	736-0217	1	S	L-Wash. 3/8" I.D. - H.D.

147Z836P190 GT-205 (1997)
Deck Ass'y

Page 3 of 22

Ref #	Part Number	Qty	S/P/F	Description
66	710-0877	1	S	Hex Bolt 3/8-24 x .88" Lg. (Gr. 5)
67	710-1088	1		Hex Bolt 5/16-18 x 1" Lg.
68	710-0672	1	/P	Hex Bolt 5/16-24 x 1-1/4" Lg. (Gr. 5)
69	14249A	1		Spindle Reinforcement Plate
70	618-0119	1	S	Spindle Ass'y. (L.H.)
71	618-0118	1	S	Spindle Ass'y. (R.H. & Center)
72	742-0171B	1	S	Blade
73	748-0300	1		Blade Adapter
?74	710-0888	1	/P	Hex Bolt 5/16-24 x 1" Lg.



147Z836P190 GT-205 (1997)
Hitch Plate, Belts, Pulleys And Transaxle

Page 5 of 22

Ref #	Part Number	Qty	S/P/F	Description
1	720-0218	1	/P	Shift Knob
2	647-0010	1		Speed Control Lever Ass'y.
3	732-0433	1		Ext. Spring 2.75" Lg.
4	736-0119	1	S/F	L-Wash. 5/16" I.D.
5	712-0123	1	/P/F	Hex Nut 5/16-24 Thd.
6	738-0296	1	S	Shld. Bolt .437" Dia. x .268"
7	736-0141	1	S	Spr. Wash. .445" I.D. x .75" O.D.
8	723-3012	1	S	Ball Joint 5/16-24 Thd.
9	747-0857	1		Speed Selector Adjusting Rod
10	720-0166	1	/P	Ball Knob
11	747-0876	1		Brake Lockout Rod
12	16980A	1	S	Brake Lockout Brkt. Code: N Notates a new part (not previously existing)
13	750-0214	1		Spacer .34" I.D. x .88" O.D.
14	712-3010	1	S	Hex Nut 5/16-18 Thd. (Gr. 5)
15	748-0234	1	/P	Shld. Spacer .27" Lg.
16	741-0225	1	S	Hex Flange Bearing
17	710-0528	1	/P	Hex Bolt 5/16-18 x 1.25" Lg
18	735-0196	1	S	Foot Pad
19	17911	1		Foot Pedal Ass'y.
20	714-0111	1	S	Cotter Pin 3/32" Dia. x 1" Lg
21	736-0275	1	S	FI-Wash. .34" I.D. x .68" O.D.
22	714-0115	1	S	Cotter Pin 1/8" Dia. x 1" Lg.
23	710-0436	1	S	Hex B-Tap Scr. #10 x .62" Lg.
24	17962	1		Switch Plate
25	710-0118	1	S	Hex Bolt 5/16-18 x .75" Lg.
26	725-1657A	1	S	Safety Switch (Clutch)
27	16924A	1	/P	Clutch Ass'y. Mtg. Brkt.
28	732-0395	1	S	Ext. Spring 2.51" Lg.
29	736-0169	1	S/F	L-Wash. 3/8" I.D.
30	712-3017	1	S	Hex Nut 3/8-16 Thd. (Gr. 5)
31	783-0056	1		Idler Brkt.
32	732-0470	1	S	Ext. Spring 4.75" Lg.
33	710-0344	1	/P	Hex Bolt 3/8-16 x 1.5" Lg.
34	17344A	1		Hitch Plate
35	710-0726	1	/P	Hex Wash. AB-Tap Scr. 5/16 x .75" Lg.
36	714-0147	1		Hitch Pin
37	738-0482	1		Hitch Rod
38	738-0347	1	S	Shld. Spacer .625" I.D.
39	710-0176	1	/P	Hex Bolt 5/16-18 x 2.75" Lg.
40	710-0599	1	/P	Hex Wash. Hd. TT-Tap Scr. 1/4-20 x .5" Lg.
41	17358D	1	S	Belt Guard Brkt.
42	17418	1	S	Torque Bracket
43	736-0242	1	/P	Bell-Wash. .345" I.D. x .88" O.D.
44	710-3008	1	/P	Hex Cap Scr. 5/16-18 x .75" Lg. (Gr. 5)
45	16888	1	S	Deck Idler Support Brkt.
46	721-0330	1		O-Ring
51		1		UNKNOWN
53	754-0435	1	S	"V"-Belt
54	756-0116	1	S	Idler Pulley
55	756-0515	1		FI-Idler Pulley
56	710-3096	1	/P	Hex Bolt 3/8-16 x 2" Lg. (Gr. 8)

147Z836P190 GT-205 (1997)
Hitch Plate, Belts, Pulleys And Transaxle

Page 6 of 22

Ref #	Part Number	Qty	S/P/F	Description
57	756-0637	1		Engine Pulley
58	714-0128	1	/P	Sq. - Key 1/4" x 1" Lg.
59	717-1434	1	S	Electric Clutch
60	738-0785	1	S	Shld. Spacer
61	736-0171	1	S	L-Wash. 7/16" I.D.
62	710-1049	1	/P	Hex Cap Bolt 7/16-20 x 3.75" Lg.
63	736-0179	1	S	FI-Wash. .531" I.D. x 1.25" O.D.
64	683-0030	1		Neutral Return Link Ass'y.
65	736-3074	1		FI-Wash. .344" I.D. x 1.12" O.D. (Hdn.)
66	747-0880	1		Connecting Rod
67	732-0387	1		Ext. Spring 2.5" Lg.
68	17757	1		Balancer Brkt.
69	17755A	1		Bracket
70	732-0717	1		Ext. Spring 3.94" Lg.
71	736-0141	1	S	Spr. - Wash. .445" I.D. x .75" O.D.
72	726-0281	1		Rod End Clevis Clip - R.H.
73	726-0280	1		Rod End Clevis Clip - L.H.
74	712-0116	1	S	Hex Ins. L-Nut 3/8-24 Thd.
75	683-0032A	1		Pintle Bracket Ass'y.
76	783-0053	1		Flat Scissors
77	736-0174	1	/P	Spr. Wash. .625" I.D. x .885" O.D.
78	783-0054	1		Offset Scissors
79	736-3078	1	/P	FI-Wash. .344" I.D. x 1" O.D. (Hdn.)
82	736-0185	1	S	FI-Wash. .406" I.D. x .75" O.D.
83	710-0257	1		Hex Socket Set Screw
84	720-0187	1		Ball Knob
85	747-0859	1		Brake Rod Ass'y.
86	710-0778	1	/P	Hex Wash. Hd. Scr. 1/4-20 x 1.5" Lg.
87	750-0555	1		Spacer .39" Lg.
88	712-3006	1	/P	Hex Nut 1/4-20 Thd. (Gr. 5)
89	783-0051	1		Transaxle Torque Brkt.
90	731-0555A	1	/P	Grommet
91	710-0604	1	S	Hex Wash. Hd. TT-Tap Scr. 5/16-18 x .62" Lg.
92	783-0050	1		Transaxle Torque Brace
93	710-0189	1	/P	Hex Bolt 5/16-18 x 3" Lg.
94	718-0241A	1		Transaxle (See Breakdown)
	918-0249A	1	/P	Transaxle (See Breakdown)
95	747-0909	1		Bypass Rod
96	711-0198	1	S	Ferrule 3/8-24 Thd.
97	712-0711	1	/P	Hex Jam Nut 3/8-24 Thd.
98	732-0716	1	S	Ext. Spring 4.01" Lg.
99	736-3008	1	S	FI-Wash. .312" I.D. x .75" O.D.
100	732-0718	1		Comp. Spring 1.19" Lg.
101	761-0196	1	S	Friction Washer
102	736-0219	1	S	Bell-Wash. .40" I.D. x 1.13" O.D.
103	712-0375	1	/P	Hex Cent. L-Nut 3/8-16 Thd.
104	750-0808	1	/P	Spacer
105	710-1012	1	/P	Rib Neck Bolt 5/16-18 x .62" Lg.
106	710-0299	1		Hex Bolt 1/4-28 x 1" Lg. (Gr. 5)
107	736-3090	1	/P	FI-Wash. .26" I.D. x .72" O.D.
108	783-0052	1		Scissors Mtg. Brkt.
109	750-0918	1		Centering Gauge Spacer
110	736-0270	1	/P	Bell-Wash. 1/4" I.D.

147Z836P190 GT-205 (1997)
Hitch Plate, Belts, Pulleys And Transaxle

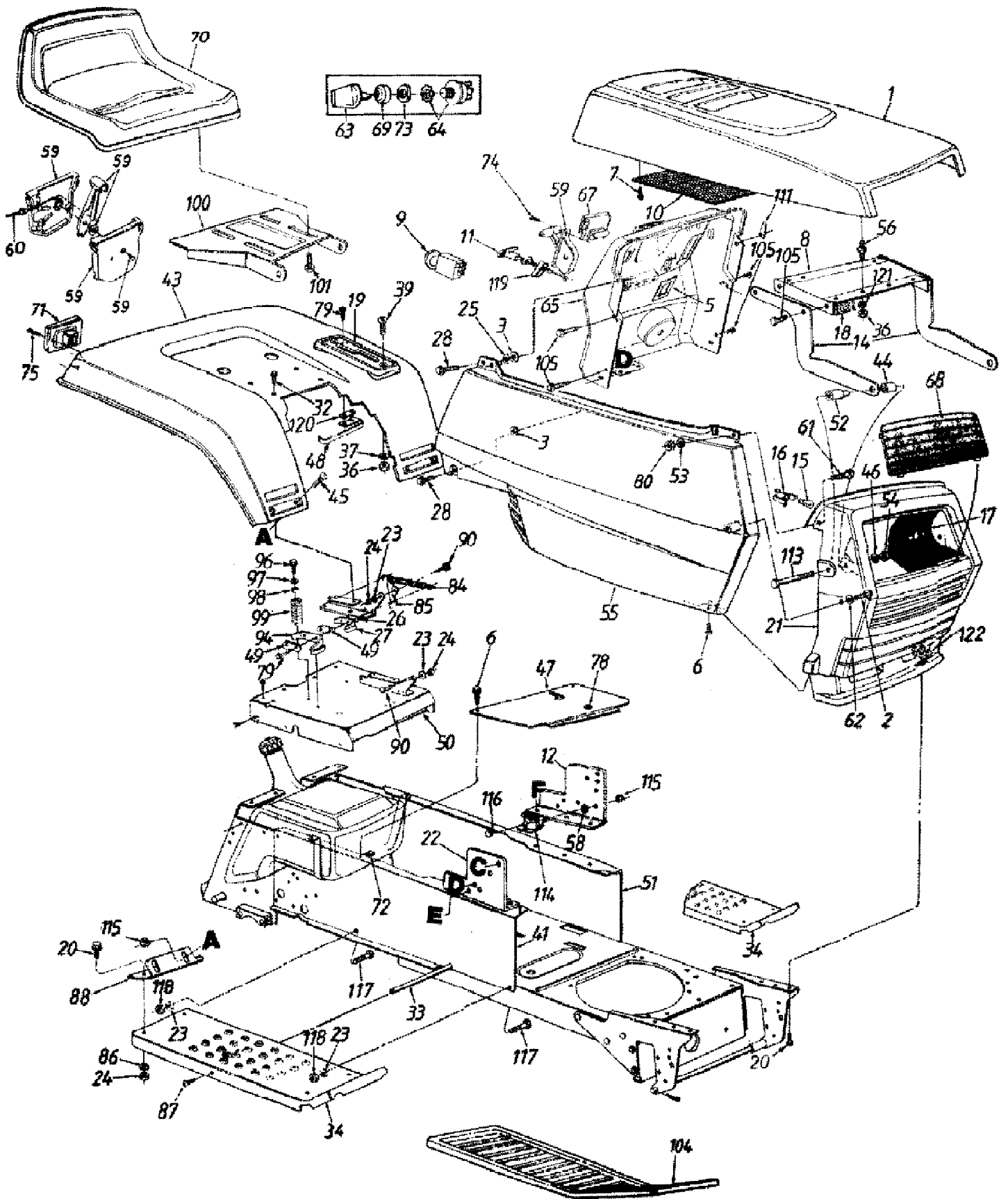
Page 7 of 22

Ref #	Part Number	Qty	S/P/F	Description
111	712-0138	1	S/F	Hex Nut 1/4-28 Thd.
112	738-0879	1	S	Friction Disc Stud
113	710-0459	1	S	Hex Bolt 3/8-24 x 1.5" Lg.
114	712-0214	1	S	Hex Cent. L-Nut 3/8-24 Thd.
115	756-0293A	1	S	"V"-Belt Idler
116	738-0129	1		Shld. Bolt .498" Dia. x 2.05
117	732-0180	1	S	Ext. Spring 4" Lg.
118	710-0158	1	S	Hex Bolt 5/16-24 x 1.25" Lg.
119	13833	1	S	Parking Brake Mtg. Brkt.
120	736-0105	1	/P	Bell-Wash. .38" I.D. x .88" O.D.
121	14076A	1	S	Idler Brkt. Deck Ass'y.
122	710-3007	1	/P	Hex Wash. Hd. Tap Scr. #12 x 3/8" Lg.
123	712-3035	1	/P	Hex Jam Nut 9/16-18 Thd.
124	731-1449	1	S	Fan
125	756-0635A	1	/P	Input Pulley
126	731-1480	1	/P	Plastic Vent
127	726-0324	1	S	Rubber Grommet
128	725-0157	1	/P	Cable Tie
129	751-0588	1		Hose 1/2" I.D. x 18" Lg.
130	731-1485	1		Hose Fitting
140	732-0145	1	/P	Comp. Spring 1" Lg.
141	714-0104	1	S	Hairpin Clip
142	736-0463	1	S	FI-Wash. 1/4" I.D.
143	731-1481	1		Plastic Vent Cap

147Z836P190 GT-205 (1997)

Page 8 of 22

Hood, Seat, Running Board, Grille And Rear Fender



147Z836P190 GT-205 (1997)

Page 9 of 22

Hood, Seat, Running Board, Grille And Rear Fender

Ref #	Part Number	Qty	S/P/F	Description
1	731-1429	1	S	Hood
2	710-0896	1	/P	Hex Wash. B-Tap Scr. 1/4 x .62" Lg.
3	726-0233	1	/P	Bolt Retainer 1/4" I.D.
5	783-0462	1	/P	Switch Retainer Code: N Notates a new part (not previously existing)
6	710-0351	1	/P	Truss Mach. B-Tap Scr. #10 x .5" Lg.
7	710-0227	1	/P	Hex Wash. Hd. AB-Tap Scr #8 x .5" Lg.
8	16903A	1	S	Hood Plate
9	725-1716	1	S	PTO Switch Code: N Notates a new part (not previously existing)
10	723-0416	1		Screen
11	746-0614A	1	/P	Choke Control
12	17294B	1	S	Dash Support Brkt. - L.H.
14	16902A	1		Hood Hinge
15	725-0963	1	S	Lamp
16	725-1649	1	S	Twist Lock - Lamp Socket
17	777-8516	1		Reflector - Headlight
18	722-0199	1		Foam Seal
19	731-1647	1		Speed Control Index Brkt.
20	710-0118	1	S/F	Hex Bolt 5/16-18 x .75" Lg.
21	731-1430B	1	S	Grille
22	17293B	1	S	Dash Support Bracket - R.H.
23	736-0119	1	S/F	L-Wash. 5/16" I.D.
24	712-3010	1	S	Hex Sems Nut 5/16-18 Thd.
25	736-0176	1	S	FI-Wash. 1/4" I.D. x .93" O.D.
26	726-0278	1		Insulator Boss Plate
27	725-1439	1		Seat Spring Switch
28	710-0642	1	/P	Hex Wash. TT-Tap Scr. 1/4-20 x .75" Lg.
32	710-0726	1	/P	Hex Wash. Hd. AB-Tap Scr. 5/16 x .75" Lg.
33	738-0435	1		Running Board Rod
34	16922	1		Running Board - R.H.
	16921	1		Running Board - L.H.
36	712-0287	1	S/F	Hex Nut 1/4-20 Thd.
37	736-0329	1	S/F	L-Wash. 1/4" I.D.
39	710-0166	1	S	Truss Mach. Scr. 1/4-20 x 1.0" Lg.
41	17360C	1		R.H. Side Frame Code: N Notates a new part (not previously existing)
43	17330A	1		Rear Fender
44	750-0755	1		Spacer .33" I.D. x .625" O.D.
45	710-0167	1	/P/F	Carriage Bolt 1/4-20 x .50" Lg.
46	736-0278	1		FI-Wash. .328" I.D. x .68" O.D.
47	17393B	1	S	Transmission Panel Code: N Notates a new part (not previously existing)
48	725-1643	1		Reverse Safety Switch
49	726-0279	1		Insulator Plate
50	683-0108A	1	S	Seat Plate Code: N Notates a new part (not previously existing)
51	17361C	1		L.H. Side Frame
52	750-0754	1		Shld. Spacer .33" I.D.
53	736-0142	1	S	FI-Wash. .281" I.D. x .5" O.D.
54	712-0158	1		Hex Nut 5/16-18 Thd.

Hood, Seat, Running Board, Grille And Rear Fender

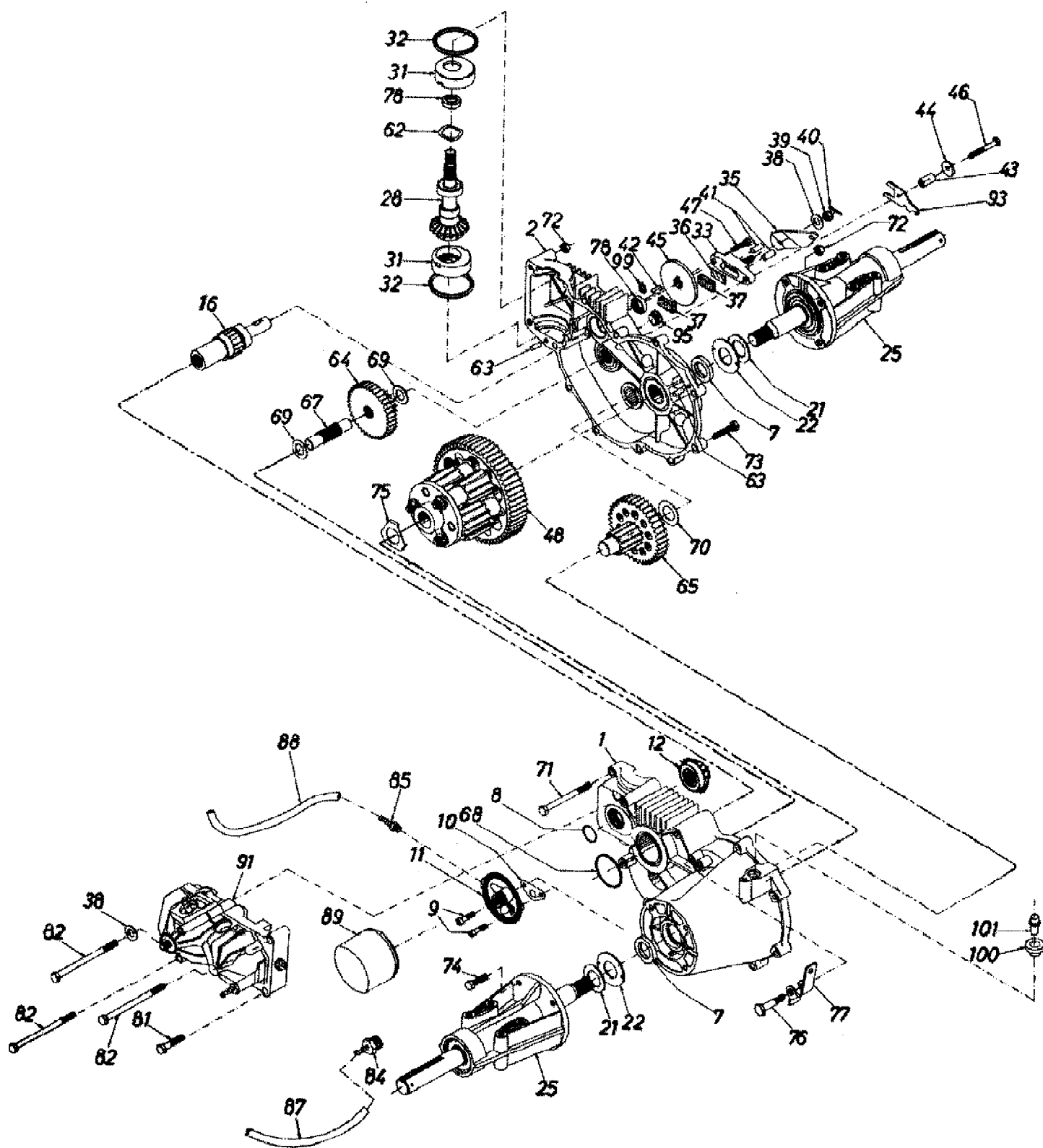
Ref #	Part Number	Qty	S/P/F	Description
55	731-1890	1	/P	Side Cover Ass'y. - R.H. Code: N Notates a new part (not previously existing)
	731-1891	1		Side Cover Ass'y. - L.H. (Not shown). Code: N Notates a new part (not previously existing)
56	710-1034	1		Double Ended Stud 1/4-20 Thd.
58	736-0222	1	S	Ext. L-Wash. 1/4" I.D.
59	831-0823A	1	/P	Throttle Control Box Ass'y.
60	746-0630	1	S	Throttle Control Wire 39" Lg.
61	710-0258	1	S/F	Hex Bolt 1/4-20 x .62" Lg.
62	736-0173	1	/P	Fl-Wash. .281" I.D. x .73" O.D.
63	725-1341B	1	/P	Ignition Key
64	725-1717	1	S	Ignition Switch Code: N Notates a new part (not previously existing)
65	731-1771	1		Dash Panel Code: N Notates a new part (not previously existing)
67	725-0925	1	S	Ammeter
68	731-1038A	1	S	Lens Code: N Notates a new part (not previously existing)
69	725-1347	1	/P	Ignition Switch Cap
70	757-0370A	1	S	Seat Ass'y. Code: N Notates a new part (not previously existing)
71	725-3018	1		Taillight Ass'y.
72	726-0139	1	/P	Speed Nut #10Z
73	725-1346	1	S	Ignition Switch Nut
74	710-0779A	1	/P	Truss Mach. AB-Tap Scr. #10 x .5" Lg.
75	710-0936	1		Truss Hd. AB-Tap Scr. #6 x .62"
78	731-0405	1		Snap Bushing
79	710-0227	1	/P	Hex Wash. Hd. AB-Tap Scr. #8 x .50" Lg.
80	712-0291	1	S	Hex L-Nut 1/4-20 Thd.
84	732-0581B	1	S	Ext. Spring 5.31" Lg.
85	17239A	1	S	Seat Lift Brkt.
86	736-0242	1	/P	Bell-Wash. .345" I.D. x .88" O.D.
87	710-0323	1	/P	Truss Machine Scr. 5/16-18 x .75" Lg.
88	17406	1	S	Fender Bracket - R.H.
	17407	1	S	Fender Bracket - L.H.
90	738-0296	1	S	Shld. Bolt .437" Dia. x .268"
94	725-1303	1	S	Spring Switch
96	710-0650	1	/P	Hex Flange TT-Scr. 5/16-18 x .875"
97	736-0159	1	S	Fl-Wash. 5/16" I.D.
98	722-0160	1		Bushing
99	732-0588	1		Compression Spring
100	783-0039A	1	/P	Seat Pivot Bracket Code: N Notates a new part (not previously existing)
101	710-0870	1	/P	Hex Tap Scr. 3/8-16 x .62" Lg.
104	731-1052	1		Foot Pad
105	710-0599	1	/P	Hex Tap Scr. 1/4-20 x .5" Lg.
111	712-0185	1		Speed Nut 1/4-20 Thd.
113	710-0176	1	/P	Hex Bolt 5/16-18 x 2.75"
114	725-1426	1	S	Solenoid
115	712-0271	1		1/4-20 Thd.

147Z836P190 GT-205 (1997)

Page 11 of 22

Hood, Seat, Running Board, Grille And Rear Fender

Ref #	Part Number	Qty	S/P/F	Description
116	710-0289	1	S/F	Hex Bolt 1/4-20 x .5" Lg.
117	710-1012	1	/P	Rib Neck Bolt 5/16-24 x .75" Lg.
118	712-0123	1	/P	Hex Nut 5/16-24 Thd.
119	17782	1		Retainer Clip
120	726-0320	1	S	Insulator Nut Plate
121	736-0270	1	/P	Bell-Wash. .265" I.D. x .75" O.D.
122	726-0211	1	S	U-Nut 5/16-18 Thd.



147Z836P190 GT-205 (1997)
Hydrostatic Transmission (718-0241A)

Page 13 of 22

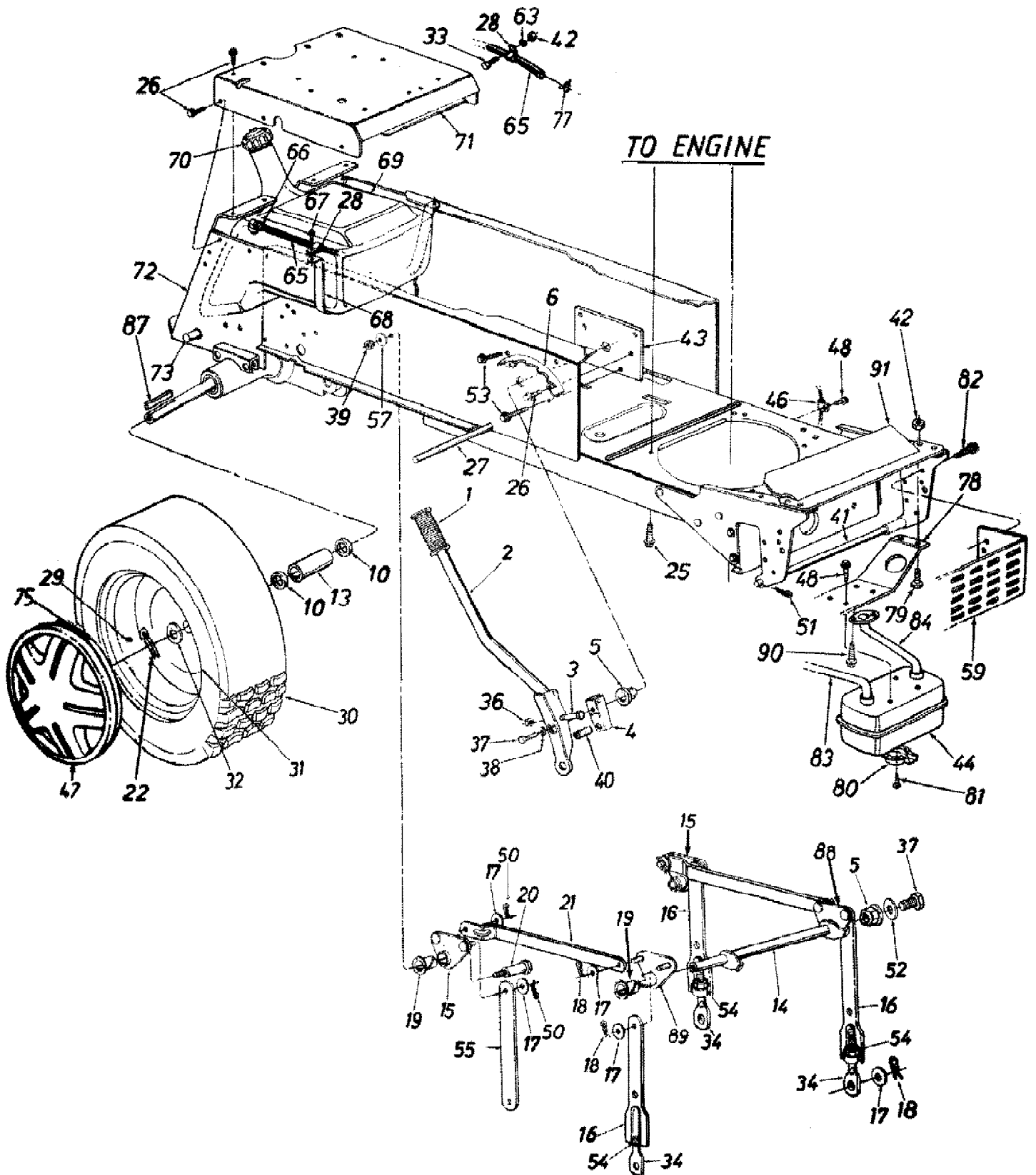
Ref #	Part Number	Qty	S/P/F	Description
	718-0241A	1		Hydrostatic Transmission
1	HG-52881	1		Housing - L.H. Ass'y.
2	HG-52879	1		Housing - R.H. Ass'y.
7	HG-44782	2		Oil Seal .984" x 1.5" x .25"
8	HG-50070	1		Quad Ring
9		2		1/4-20 x 1
10	HG-44920	1		Filter Base Gasket
11	HG-70053	1	/P	Filter Base Ass'y.
12	HG-62876	1		Pinion Ass'y.
16	HG-62877	1		Brake Shaft Ass'y.
21	HG-44805	2		Washer 1.0" x 1.63" x .08"
22	HG-44806	2		Washer 1.0" x 2.06" x .09"
25	HG-82888	2	S	Axle Mounting Horn Ass'y.
28	HG-70054	1		Input Ass'y.
31	HG-44800	2		Ret. Bearing
32	HG-44802	2		O-Ring 2-1/2" O.D.
33	HG-62589	1	/P	(Sub) Brake Yoke Ass'y.
35	HG-44094	1	/P	Brake Arm
36	HG-44134	1	S	Puck Plate
37	HG-44132	2	S	Brake Puck
38	HG-44130	2	S	Washer 7/16" x 7/8" O.D. x .060 H.T.
39	HG-44142	1	S	Nut Castle 5/16-24 PL
40	HG-44101	1	S	Cotter Pin
41	HG-44127	2	S	Brake Actuating Pin
42	HG-44143	1	S	Hi-Pro Key 3/16" x 5/8"
43	HG-23711	1		Torsion Spring Spacer
44	HG-44278	1		Washer 7/8 O.D. x .260 I.D. x 1/8
45	HG-44090	1	S	Disc Brake
46	HG-44300	1		Bolt 1/4-20" x 2 W/Nylok Gr. 5
47	HG-44433	1		Bolt 1/4-20" x 1 W/Nylok Gr. 5
48	HG-62834	1		Differential Ass'y.
62	HG-44843	1		Wave Washer
63	HG-44757	2		Dowel Pin
64	HG-44776	1		Reduction Gear 14T-38T
65	HG-70051	1		Final Drive Pinion Ass'y.
67	HG-44779	1		Jack Shaft
68	HG-44781	1		O-Ring
69	HG-44795	2		FI-Wash. 5/8" I.D. x 1-5/32" O.D. Ht.
70	HG-44794	1		FI-Wash. 7/8" I.D. x 1-1/2" O.D. Ht.
71	HG-44827	2		Hex Bolt H.D. 5/16-18" x 3-1/2"
72	HG-43064	4		Hex Lock Nut 5/16-18" 2-Way Plt.
73	HG-44841	11		Hex Bolt 5/16-18" x 1-1/2" Gr. 5 Plt.
74	HG-45089	7		Hex Bolt 5/16-18" x 1
75	HG-44880	1		Differential Washer .050
76	HG-44785	1		Shld. Bolt
77	HG-44786	1		Freewheel Actuating Arm
78	HG-44761	2	S	Oil Seal .625" x 1.0" x .25"
81	HG-43084	1		Hex Bolt 5/16-18" x 1-3/4"
82	HG-44820	3		Hex Bolt 5/16-18" x 4-1/2"
84	HG-50009	1		SAE Port Straight Fitting 7/8"
85	HG-50010	1		SAE Port Straight Fitting 7/16"
87	HG-50011	1		Hose 8-1/2" Long
88	HG-50012	1		Hose 10-1/2" Long

147Z836P190 GT-205 (1997)
Hydrostatic Transmission (718-0241A)

Page 14 of 22

Ref #	Part Number	Qty	S/P/F	Description
89	HG-50037	1	S	Spin-On Filter
91	HG-BDU-10L-256	1		Transmission
93	17434A	1		Bracket
95	HG-9005110-5600	1	/P	Straight Thread Plug
99	HG-50136	1		Washer 5/16" I.D. x 9/16" O.D.
100	HG-50133	1	/P	Vent Bushing
101	HG-50134	1	/P	Vent
?102	HG-70052	1		Seal Kit

Seat Plate, Hitch Plate, Rear Wheel Ass'y And Lift Pivot Brkt Ass'y



Seat Plate, Hitch Plate, Rear Wheel Ass'y And Lift Pivot Brkt Ass'y

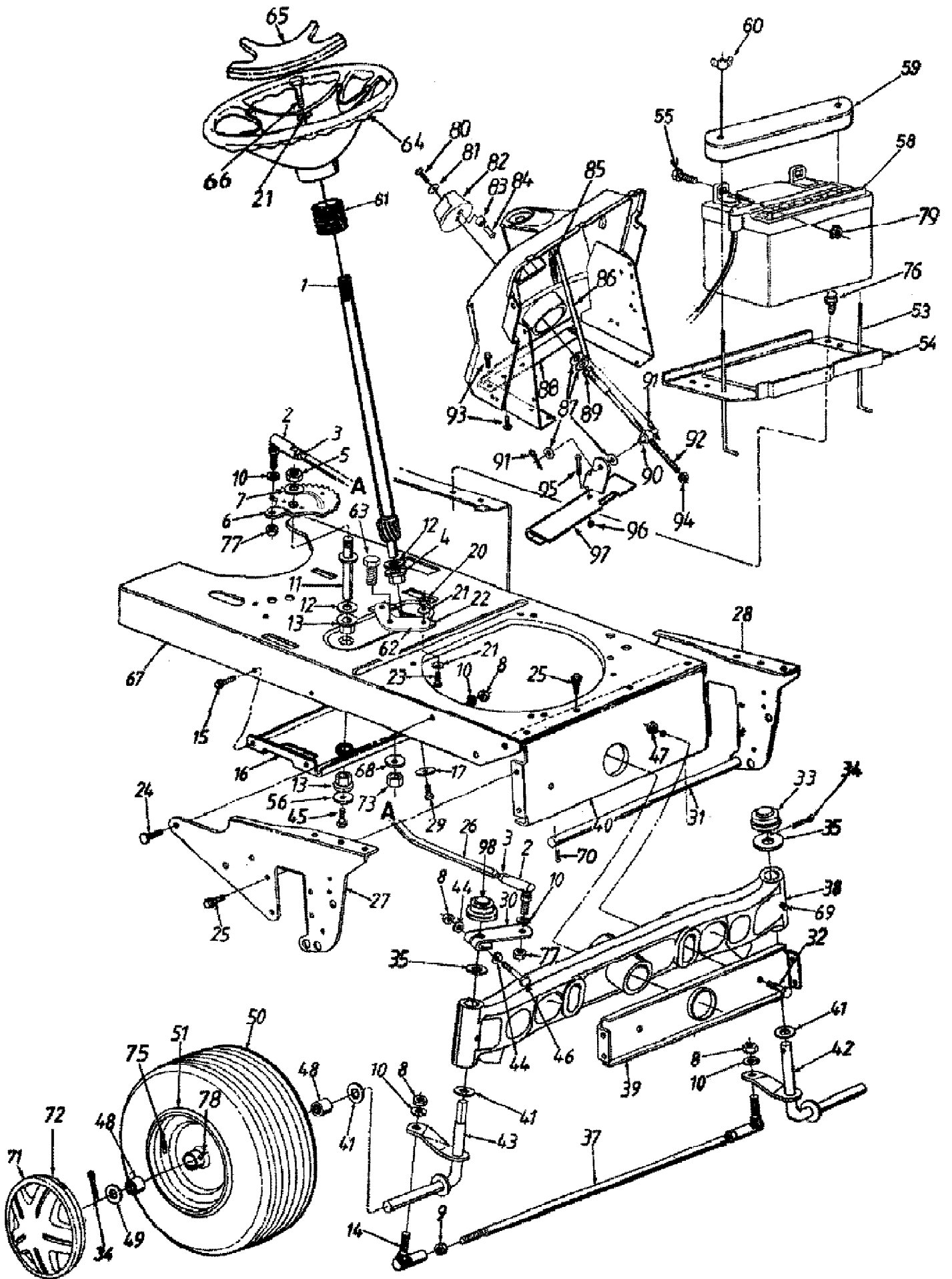
Ref #	Part Number	Qty	S/P/F	Description
1	720-0233	1	S	Grip
2	17282	1	S	Lift Handle Ass'y.
3	710-0442	1	S/F	Hex Bolt 5/16-18 x 1.5" Lg.
4	748-0274A	1	/P	Lift Shaft Drive
5	741-0225	1	S	Plastic Hex Brg. 5/8" I.D.
6	14231	1	S	Index Brkt. Deck Lift
?7	737-0286	1		Oil Drain Pipe (Not shown)
?8	751-0572	1		Oil Drain Plug (Not shown)
10	736-0163	1	S	FI-Wash. 1.03" I.D. x 1.62" O.D.
13	750-0762	1		Spacer 1" I.D. x 1.25" O.D.
14	983-0101	1	/P	Lift Shaft Ass'y.
15	13895	1		Lift Pivot Brkt. Ass'y.
16	17303	1	S	Adj. Deck Lift Link
17	736-0192	1	S	FI-Wash. 1/2" I.D. x 1.00" O.D. x .090"
18	714-0101	1	S	Hairpin Cotter
19	741-0591	1	S	Flanged Brg. 5/8" I.D.
20	738-0445	1	S	Shld. Bolt 5/8" Dia. x .96" Lg. 3/8-16
21	13790	1	S	Connecting Link
22	714-0142	1	/P	Cotter Pin 3/16" Dia. x 1.5" Lg.
25	710-0502A	1	/P	Hex Wash. Hd. Scr. 3/8-16 x 1.25" Lg.
26	710-0726	1	/P	Hex Thd. Rolling Scr. 5/16-18 x .75" Lg.
27	738-0435	1		Running Board Rod
28	726-0272	1	/P	Clamp
29	734-0255	1	S	Air Valve
30	734-1005	1		Rear Wheel Ass'y. Comp. For model 147U836H190 Only.
	634-0086	1		Rear Wheel Ass'y. Comp. For model 147Z836P190 Only.
	734-0322	1		Tire Only For model 147U836H190 Only.
	734-1728	1	/P	Tire Only For model 147Z836P190 Only.
31	734-1015	1		Rear Wheel Rim Only
32	736-0345	1	S	Flat Washer
33	710-0258	1	S	Hex Bolt 1/4-20 x .62" Lg.
34	711-0817	1	S	Eye Bolt Adj. Link 1/2-13 Thd.
36	712-0158	1	S	Hex Cent. L-Nut 5/16-18 Thd.
37	710-0157	1	/P/F	Hex Bolt 5/16-24 x .75" Lg. (Gr. 5)
38		1		UNKNOWN
39	712-0181	1	S	Hex Top L-Nut 3/8-16 Thd.
40	732-0369	1	S	Compression Spring
41	738-0777	1	S	Deck Connecting Rod
42	712-0271	1	/P	Hex Sems Nut 1/4-20 Thd.
43	14170	1	S	Index Brkt. Reinforcement Plate
44	751-0616	1	S	Muffler
46	726-0273	1		Mounting Clamp
47	734-1785A	1	/P	Hub Cap Code: N Notates a new part (not previously existing)
48	710-0599	1	/P	Hex Wash. Hd. TT-Tap Scr. 1/4-20 x .5" Lg.
50	714-0111	1	S	Cotter Pin .09 Dia. x 1.0" Lg.
51	714-0149B	1	S	Int. Cotter Pin
52	736-0231	1	S	Flat Wash. .34" I.D. x 1.12" O.D. x .125"
53	710-0607	1	/P	Hex Wash. Hd. AB-Tap Scr. 5/16-18 x .5" Lg.
54	712-0206	1		Hex Bolt 1/4-20 x 1.0" Lg.

147Z836P190 GT-205 (1997)

Page 17 of 22

Seat Plate, Hitch Plate, Rear Wheel Ass'y And Lift Pivot Brkt Ass'y

Ref #	Part Number	Qty	S/P/F	Description
55	14399	1	S	Deck Link
57	736-0219	1	S	Bell-Wash. .4" I.D. x 1.13" O.D.
59	783-0023A	1	S	Heat Shield Code: N Notates a new part (not previously existing)
63	736-0329	1	S/F	L-Wash. 1/4" I.D.
65	751-0535-46	1	S	Fuel Line 46" Lg.
66	726-0205	1	/P	Hose Clamp
67	710-0776	1	S	Hex AB-Tap Scr. 1/4 x .62" Lg.
68	17424	1		Fuel Tank Strap
69	751-0566	1		Gas Tank
70	751-0531B	1	/P	Gas Gauge
71	683-0108A	1	S	Seat Plate
72	17344A	1		Hitch Plate
73	738-0482	1		Hitch Rod
75	727-0425A	1	S	Spring Clip
77	726-0272	1	/P	Hose Clamp
78	17958	1		Muffler Mounting Brkt.
79	710-0258	1	S	Hex Bolt 1/4-20 x .62" Lg.
80	751-0564	1	S	Muffler Deflector
81	710-0148	1	/P	Hex Wash. Hd. F-Tap Scr. #8 x .32" Lg.
82	710-0604	1	S	Hex Wash. Hd. TT-Tap Scr. 5/16"-18 x .62" Lg.
83	751-0558	1		Exhaust Tube - R.H.
84	751-0559A	1	/P	Exhaust Tube - L.H. Code: N Notates a new part (not previously existing)
87	714-0120	1		Sq. Key 1/4" x 3" Lg.
88	683-0097	1		Lift Pivot Brkt. - L.H.
89	683-0098	1		Lift Pivot Brkt. - R.H.
90	710-3292	1	/P	Socket Scr. M8 x 1.25" x 20MM Lg.
91	783-0394	1		Heat Shield Code: N Notates a new part (not previously existing)



147Z836P190 GT-205 (1997)
Steering Mechanism & Battery

Page 19 of 22

Ref #	Part Number	Qty	S/P/F	Description
1	738-0963	1	S	Steering Shaft Ass'y. Code: N Notates a new part (not previously existing)
2	723-0448	1	S	Ball Joint 7/16-20 Thd.
3	712-0240	1	S	Hex Jam Nut 7/16-20 Thd.
4	741-0656	1	S	Hex Flange Brg.
5	712-0318	1	/P/F	Hex Jam Nut 5/8-18 Thd.
6	717-0943C	1	/P	Steering Gear Segment Code: N Notates a new part (not previously existing)
7	736-0317	1	/P	Bell-Wash. 5/8" I.D. x 1.25" O.D.
8	712-0241	1	/P	Hex Nut 3/8-24 Thd.
9	712-0711	1	/P	Hex Jam Nut 3/8-24 Thd.
10	736-0169	1	S/F	L-Wash. 3/8" I.D.
11	738-0768	1		Steering Gear Segment Shaft
12	736-0187	1	/P	FI-Wash. .64" I.D. x 1.24" O.D.
13	748-0227A	1	S	Hex Flange Brg. .63" I.D.
14	723-3018	1	S	Ball Joint Ass'y.
15	710-0599	1	/P	Hex Wash. Hd. TT-Tap Scr. 1/4-20 x .5" Lg.
16	16888A	1	S	Deck Idler Support Brkt.
17	748-0389	1	S	Cap 1.25" x .16"
?19	736-0119	1	S/F	L-Wash. 5/16" I.D.
20	712-0123	1	/P/F	Hex Nut 5/16-24 Thd.
21	736-0242	1	/P	Bell-Wash. .345" I.D. x .88" O.D.
22	16894	1	S	Bearing Retainer Brkt.
23	710-0157	1	/P	Hex Bolt 5/16-24 x .75" Lg.
24	710-0793	1		Ribbed Neck Bolt 3/8-24 x .8" Lg.
25	710-0604	1	S	Hex Wash. TT-Tap Scr. 5/16-18 x .62" Lg.
26	711-1106	1	S	Steering Drag Link Code: N Notates a new part (not previously existing)
27	783-0338	1		Pivot Bar Side Plate - R.H.
28	783-0337	1		Pivot Bar Side Plate - L.H.
29	710-1309	1	/P	Pan Hd. Scr. 5/16-18 x .63" Lg.
30	683-0061A	1	S	Steering Arm Ass'y.
31	738-0777A	1	/P	Deck Connecting Rod
32	738-0527	1	S	Shld. Bolt .498" Dia. x 2.45" Lg.
33	731-0484A	1	S	Cap
34	714-0121	1	S	Cotter Pin 5/32" Dia.
35	736-0316	1	S	Flat Washer
37	747-0753	1		Tie Rod 20.25" Lg.
38	719-0343	1	S	Pivot Bar Ass'y.
39	16889A	1	S	Pivot Bar Support Brkt. - Front
40	16890A	1	S	Pivot Bar Support Brkt. - Rear
41	736-0188	1	/P	FI-Wash. .76" I.D. x 1.49" O.D.
42	638-0007A	1	S	Front Axle Ass'y. - L.H. Code: N Notates a new part (not previously existing)
43	638-0008A	1	S	Front Axle Ass'y. - R.H. Code: N Notates a new part (not previously existing)
44	736-0286	1	S	Bowed Washer
45	710-0538	1	/P	Hex L-Scr. 5/16-18 x .62" Lg.
46	710-0331	1	/P	Hex Bolt 3/8-24 x 2.25" Lg.
47	712-0431	1	S	Hex L-Nut 3/8-16 Thd.
48	741-3032			

147Z836P190 GT-205 (1997)
Steering Mechanism & Battery

Page 20 of 22

Ref #	Part Number	Qty	S/P/F	Description
	741-0516	1	S	Flange Brg. .75" I.D. For model 147Z836P190 Only
49	736-0316	1	S	FI-Wash. .71" I.D. x 1.5" O.D.
50	734-1722	1		Wheel Ass'y. Comp. For model 147U836H190 Only
	634-0084	1		Wheel Ass'y. Comp. For model 147Z836P190 Only
	734-0275	1	/P	Tire Only For model 147U836H190 Only
	734-1727	1	/P	Tire Only For model 147Z836P190 Only
51	634-0071	1		Rim Only For model 147U836H190 Only
	634-0067	1		Rim Only For model 147Z836P190 Only
53	711-0222A	1	S	Battery Hold Down Rod
54	783-0346A	1	S	Battery Plate Code: N Notates a new part (not previously existing)
55	710-3015	1	/P	Hex Bolt 1/4-20 x .75" Lg. (Gr. 5)
56	736-0343	1	/P	FI-Wash. .33" I.D. x 1.25" O.D.
58	725-1707B	1	S	Battery (275 Cold Crank Amps) Code: N Notates a new part (not previously existing)
59	731-1683	1		Battery Cover
60	712-3087	1	/P	Wing Nut Plastic 1/4-20 Thd.
61	731-0954	1	S	Steering Bellow
62	783-0465	1	S	Steering Brace Code: N Notates a new part (not previously existing)
63	738-0966	1	S	Shld. Bolt .5" Dia. x .925" Lg. Code: N Notates a new part (not previously existing)
64	731-1686	1	S	Steering Wheel
65	731-1509A	1	/P	Steering Wheel Insert Code: N Notates a new part (not previously existing)
66	710-0643	1	/P	Hex L-Bolt 5/16-18 x 1" Lg.
67	17359C	1		Lower Frame Code: N Notates a new part (not previously existing)
68	736-0452	1	S	Bell-Wash. .396" I.D. x 1.14" O.D.
69	737-3000	1	S	Grease Fitting
70	714-0149B	1	S	Internal Cotter Pin
71	734-1784A	1	S	Hub Cap Code: N Notates a new part (not previously existing)
72	727-0425A	1	S	Spring Clip
73	712-3017	1	S	Hex Nut 3/8-16 Thd.
75	734-0255	1	S	Air Valve
76	710-0896	1	/P	Hex Wash. B-Tap Scr. 1/4" x .62" Lg.
77	712-0262	1	/P	Hex Jam L-Nut 3/8-24 Thd.
78	737-0280	1	S	Grease Fitting
79	712-0271	1	/P	Hex Sems Nut 1/4-20 Thd.
80	710-3015	1	/P	Hex Cap Bolt 1/4-20 x .75" Lg.
81	736-0270	1	/P	Bell-Wash. .265" I.D. x .75" O.D.
82	720-0236	1	S	Plastic Knob 3" Dia.
83	750-0526	1		Spacer .38" I.D. x .5" O.D.
84	732-0675	1		Ball Plunger

147Z836P190 GT-205 (1997)
Steering Mechanism & Battery

Page 21 of 22

Ref #	Part Number	Qty	S/P/F	Description
85	732-0748	1	S	Ext. Spring 4.62" Lg.
86	727-0469	1		Indicator Strip Ass'y.
87	736-0267	1	S	Fl-Wash. 3/8" I.D. x .87" O.D.
88	783-0272	1		Dash Support
89	716-0125	1	S	"E"-Ring
90	711-1002	1		Adjustment Ferrule
91	714-0101	1	S	Hairpin Clip
92	747-0629	1		Height Adjustment Rod
93	710-0604	1	S	Hex Wash. TT-Tap Scr. 5/16-18 x .62" Lg.
94	712-0449	1		Hex L-Nut 3/8-8 Twin Thd.
95	710-0606	1	/P	Hex Bolt 1/4-20 x 1.5" Lg.
96	712-0324	1	/P	Hex L-Nut 1/4-20 Thd.
97	683-0096	1	S	"U" Channel Ass'y.
98	726-0341	1	/P	Cap
	777-4486	1		Plastic Logo on Side Panel
	777-4746	1		Hood Side Labels
	777-5499	1		Dash Label
	777-4910	1		Label - Fender
	777-5504	1		Label - Transmission Panel

147Z836P190 GT-205 (1997)
Wiring Diagram

